

SHARP

| Report Title | Description |
|-----------------------------------|--|
| 1 General | Prints department sales data by group and transaction reports |
| 2 Department sales | Prints department sales details and total amount by group |
| 3 PLU | Prints sales data details, stock management, zero sales for each PLU, etc. |
| 4 Combo sales | Prints sales data for each combo sale or one specified combo sale |
| 5 Transaction | Provides all related media accountability for the business day, which can justify collected money for the items sold |
| 6 Total in drawer | Total cash in drawer |
| 7 Commission sales | Prints total commission and commission amount for each sale |
| 8 Tax | Prints taxable total and tax amount |
| 9 Chief | Allows chief manager to view outline of sales on the floor |
| 10 Clerk | Prints each clerk's sales or a specified clerk's sales |
| 11 Cashier | Prints each cashier's sales or a specified cashier's sales |
| 12 Hourly full or hourly by range | Provides the store owner with the number of transactions and sales total by 1 hour or 30 min. increments for a 24-hour period |
| 13 Daily net | Allows manager/owner to analyse monthly sales |
| 14 GLU | Prints opened GLU for a specified range and specified clerk |
| 15 Balance | Prints the total balance |
| 16 Bill report | Prints sales data for each bill already issued |
| 17 Customer | Prints customer sales data |
| 18 Customer charge account | Prints charged sales for a specified customer |
| 19 Stacked report 1 or 2 | Prints a maximum of 15 reports in succession within a single reporting operation |
| 20 Flash report | Allows the manager/owner to view a defined total in the POS terminal's display for quick up-to-the-moment analysis of the day's business |

| Specifications | | |
|-------------------------------|----------------|--|
| Display | Operator | Monochrome LCD with backlight 8 lines x 20 characters |
| | Customer | Large LED, 7 digits, 7 segments |
| Printer | Type | 2-station thermal |
| | Digits | 30 digits |
| | Speed | Approx. 17 lines/sec. |
| | Paper width | Approx. 58 mm |
| Drawer* | Bill | 4 compartments |
| | Coin | 8 compartments |
| Keyboard | Type | Normal |
| | No. of keys | Standard 68 keys, max. 84 keys |
| UP-700 | Type | Flat |
| | No. of keys | Standard 144 keys |
| Communication | RS-232 I/F | Standard 2 ports, max. 4 ports |
| | IRC (Ethernet) | 1 port (option) |
| EAN/PLU | Number | Standard 1,000, max. 30,000 |
| Tax function | | Total 6 rates (VAT or add-on tax) |
| Dimensions (W x D x H) | | 420 x 448 x 306 mm including drawer |
| Weight | | 14.9 kg including drawer |
| Power supply | | Official (nominal) voltage and frequency |

| Options | |
|--------------------------------|------------------------------------|
| Dummy Key Kit (for UP-600) | ER-11/51DK7G |
| EFT Interface Board | ER-01EF |
| Ethernet Interface Board | UP-E10IN |
| Expansion Key Kit (for UP-600) | ER-11/12/22KT7 |
| Expansion Memory Board | UP-S02MB |
| | UP-S04MB |
| Magnetic Card Reader | UP-E13MR |
| Pole Display | UP-P16DP |
| Remote Drawer | ER-03/04/05/06DW |
| RS-232 Interface Board | ER-A5RS |
| Scanner | ER-A6HS1 or local-purchase scanner |

*Optional in some areas.
Design and specifications are subject to change without prior notice.

SHARP
SHARP CORPORATION OSAKA, JAPAN

Distributed by:



Maximise the Efficiency of
Your Retail Business with the
Expandable UP-600 POS Terminal

UP-600

UP-700

Custom Expandability Makes the
UP-700 the Ideal Choice for the
Hospitality Industry

Note: Photo includes options.



Efficient and reliable operation is an important key to a successful business. And to help you run your retail or hospitality business more smoothly, the UP-600 and UP-700 POS terminals are packed with a wealth of advanced features and convenient functions. These include a multi-line operator display for easy operation, an Ethernet in-line system for efficient sales data management, accurate barcode entry, and Menu/Condiment/Combo PLUs that can be registered quickly and easily. So give your business the streamlined operation it needs — give it a Sharp UP-600 or UP-700 POS terminal.

Outstanding Features of the UP-600 and UP-700

Stylish design

The sleek, modern design of the UP-600/700 blends easily into any interior and can add a touch of elegance to your shop or restaurant.

Large, multi-line display

The backlit LCD operator panel shows 8 lines of information at a time, such as items, prices and other relevant data, for quick confirmation even in low-light environments. The display can be tilted to an angle for better viewing.



Quick and quiet thermal printing

Detailed receipts with information such as sales items, the cashier's name and messages, are silently printed out on a 58 mm-wide paper at a speedy rate of approx. 17 lines per second. Graphic logos can be printed out as well, helping to further promote your business.



Easy barcode scanning

If during a sales transaction an item comes up as unregistered, you can register it on the spot by simply scanning the barcode and entering the price and department number. The product will be instantly added to the master product file, allowing you to run your business even more efficiently.



UP-600

Note: Drawer is optional in some areas.



UP-700

Note: Drawer is optional in some areas.

In-line communication

The optional Ethernet interface board lets you create an in-house network by connecting "satellite" terminals to a "master" UP-600/700. Through this high-speed (10 Mbps) in-line system, the master terminal can collect and process sales data from the satellite terminals as well as send out preset data.

Customisable flat keyboard (UP-700)

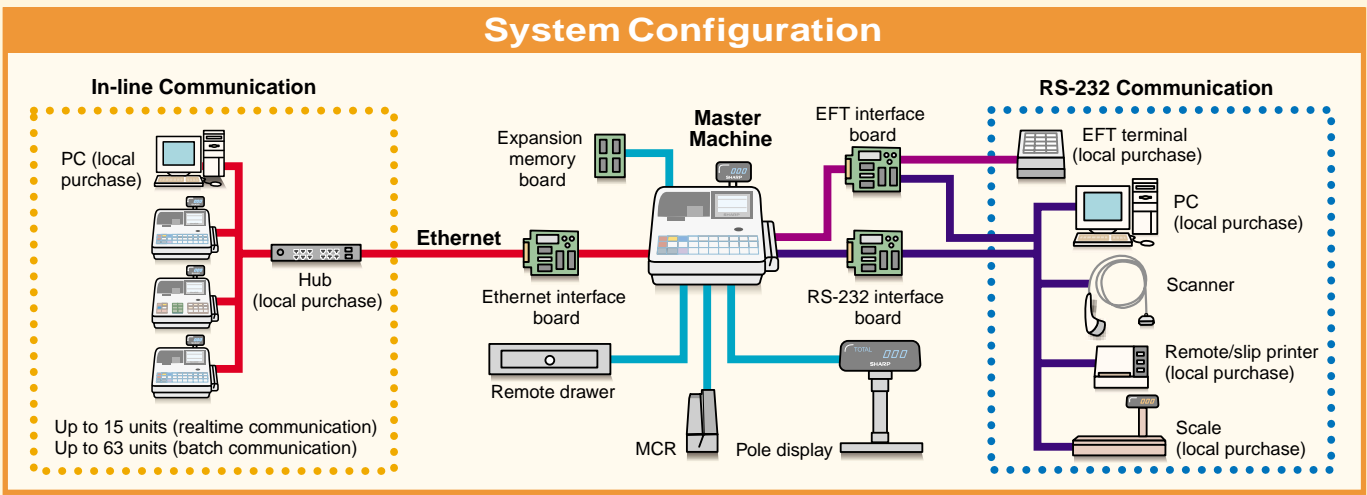
The UP-700 lets you customise the arrangement of the keys any way you like to accommodate your specific business and application requirements. If you are upgrading from an older machine, you can arrange the new keyboard to be consistent with the old one, reducing both training time and errors. You can also switch between up to three PLU menus — a convenient feature for restaurants that change their menus or prices depending on the time of day.

Training mode

This mode allows cashiers to practice operating the UP-600/700 without affecting actual sales figures.

Other features

- Large LED customer display
- Thermal printer with auto cutter
- Two RS-232 interface ports (max. 4 ports)
- High-capacity lockable cash drawer
- Drawer alarm timer
- Auto key function (max. 10)
- Price shift function
- PLU menu change function (UP-700)
- Recall GLU function
- Menu/condiment/combo PLUs
- Bottle return plus/minus group
- Flash reporting
- Full report capability



Keyboard Layout



UP-600 Normal keyboard (standard 68 keys, max. 84 keys)



UP-700 Spill-proof flat keyboard (144 keys)